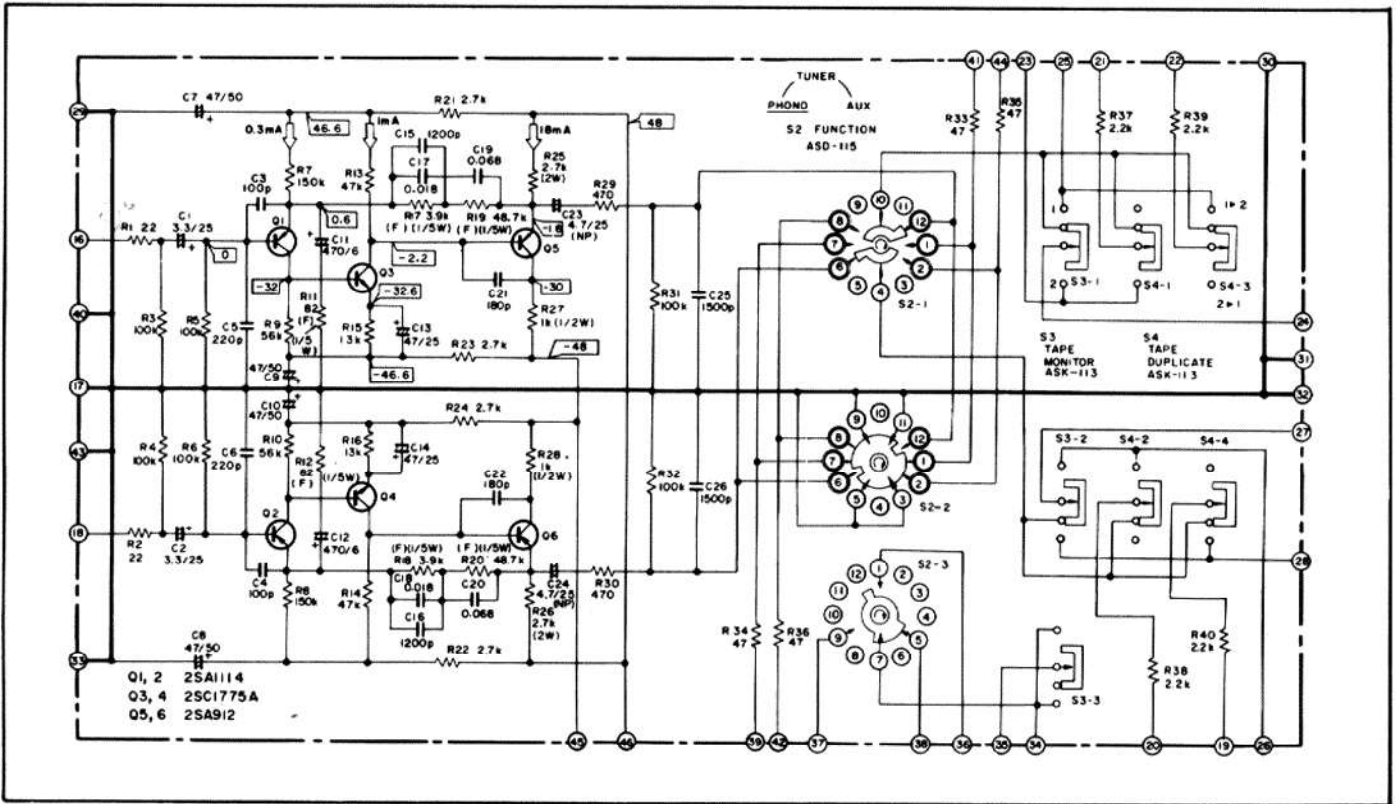


9.4 EQUALIZER ASSEMBLY (GWF-115)



Parts List

CAPACITORS

Part No.	Symbol & Description
CEANL 3R3M 25	C1, C2
CCDSL 101K 50	C3, C4
CCDSL 221K 50	C5, C6
CEA 470P 50	C7-C10
CEA 471P 6	C11, C12
CEA 470P 25	C13, C14
COSA 122G 50	C15, C16
COPA 183G 50	C17, C18
COPA 683G 50	C19, C20
CCDSL 181K 50	C21, C22
ACH-318	C23, C24 Electrolytic 4.7/25V
QOMA 152J 50	C25, C26

RESISTORS

Part No.	Symbol & Description
RD $\frac{1}{2}$ PM $\square\square\square$ J	R1-R10, R13-R16, R21-R24, R29-R40
RN $\frac{1}{2}$ SQ $\square\square\square\square$ F	R11, R12, R17, R18, R19, R20
RS2P $\square\square\square$ J	R25, R26
RD $\frac{1}{2}$ PS $\square\square\square$ J	R27, R28

SEMICONDUCTORS

Part No.	Symbol & Description
2SA1114	Q1, Q2
2SC1775A	Q3, Q4
2SA912	Q5, Q6

SWITCHES

Part No.	Symbol & Description
ASD-115	S2 Rotary (FUNCTION)
ASK-113	S3 Lever (TAPE MONITOR)
ASK-113	S4 Lever (TAPE DUPLICATE)

Note: When ordering resistors, convert the resistance value into code form, and then rewrite the part no. as before.