

6

5

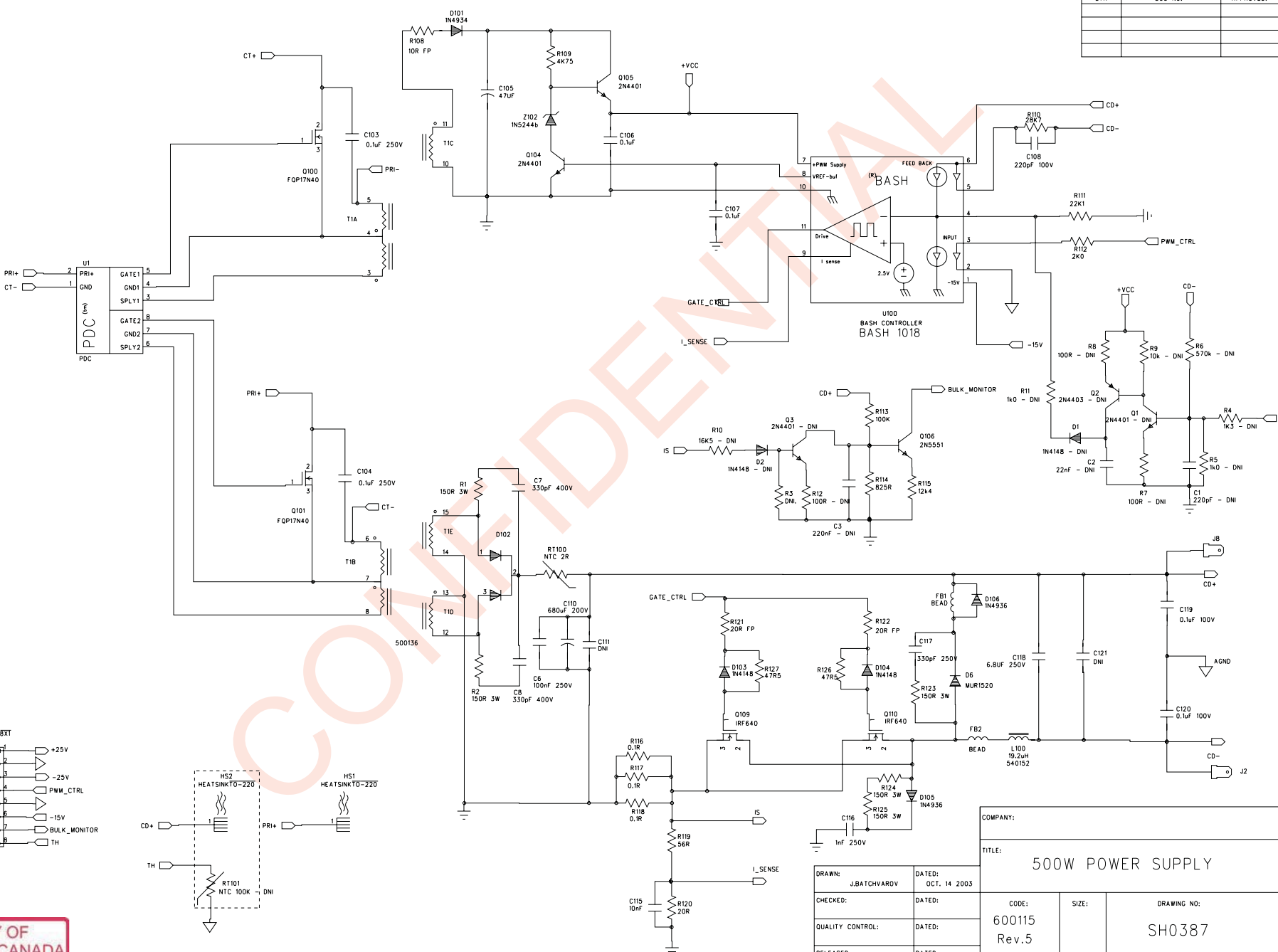
4

3

2

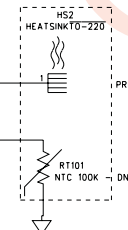
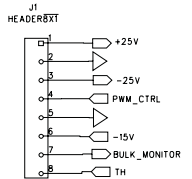
1

REVISION RECORD			
LTR	ECO NO:	APPROVED:	DATE:



D
C
B
A

D
C
B
A



PROPERTY OF
SONAVOX CANADA

COMPANY:		TITLE: 500W POWER SUPPLY		
DRAWN: JBATCHVARDV	DATED: OCT. 14 2003	CODE: 600115	SIZE:	DRAWING NO: SH0387
CHECKED:	DATED:	Rev.5		REV: 3
QUALITY CONTROL:	DATED:			
RELEASED:	DATED:			
SCALE:			SHEET: 1 OF 3	

6

5

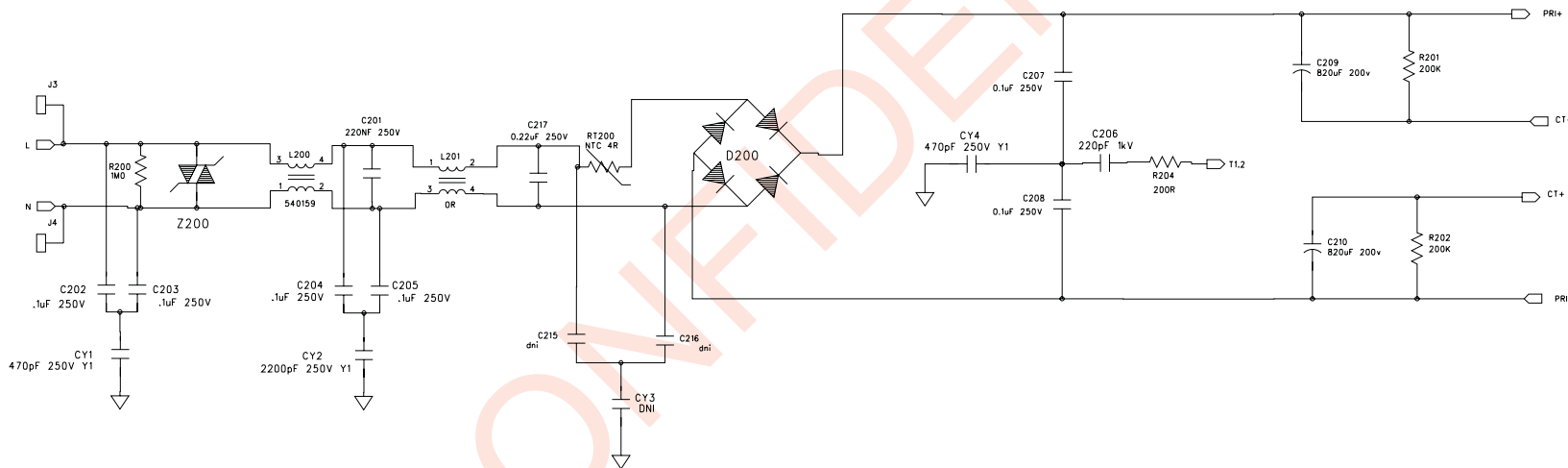
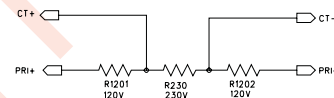
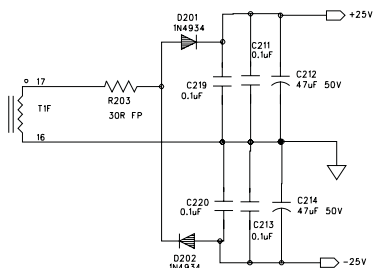
4

3

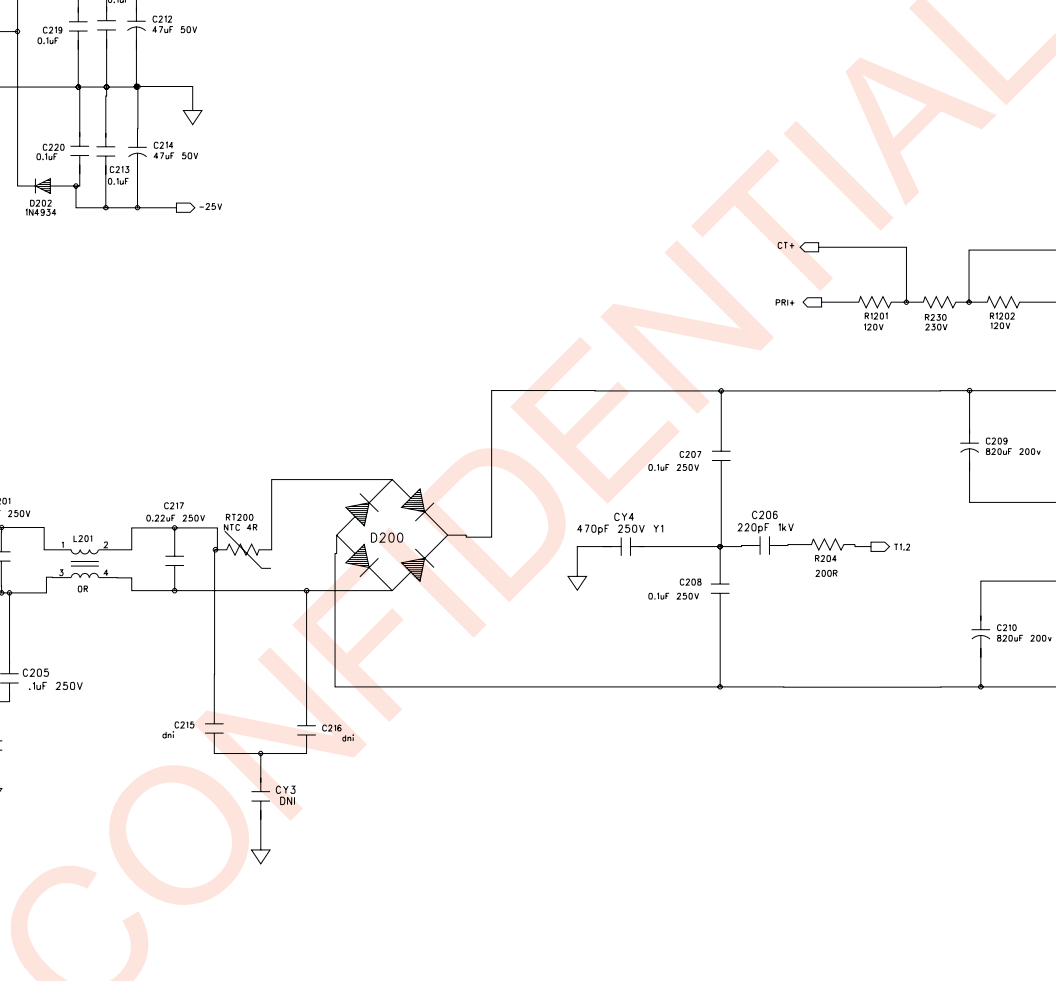
2

1

REVISION RECORD			
LTR	ECO NO:	APPROVED:	DATE:



Y1 capacitors: CY1-4



**PROPERTY OF
SONAVOX CANADA**

COMPANY:			
TITLE: EMI and POWER			
CODE:	SIZE:	DRAWING NO: SH0387	REV: 3
SCALE:			SHEET: 2 OF 3

DRAWN:	DATED:
CHECKED:	DATED:
QUALITY CONTROL:	DATED:
RELEASED:	DATED:

6

5

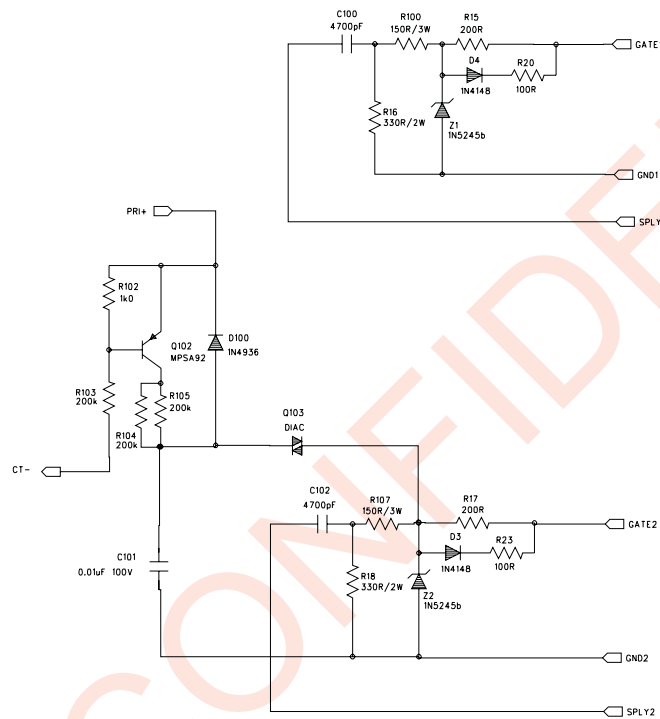
4

3

2

1

REVISION RECORD			
LTR	ECD NO:	APPROVED:	DATE:



**PROPERTY OF
SONAVOX CANADA**

COMPANY:

TITLE: PDC controller

DRAWN: J.Batchvarov	DATED: Apr.6,2004
CHECKED:	DATED:
QUALITY CONTROL:	DATED:
RELEASED:	DATED:

CODE:	SIZE:	DRAWING NO: SH0387	REV: 3
SCALE:			SHEET: OF